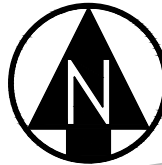
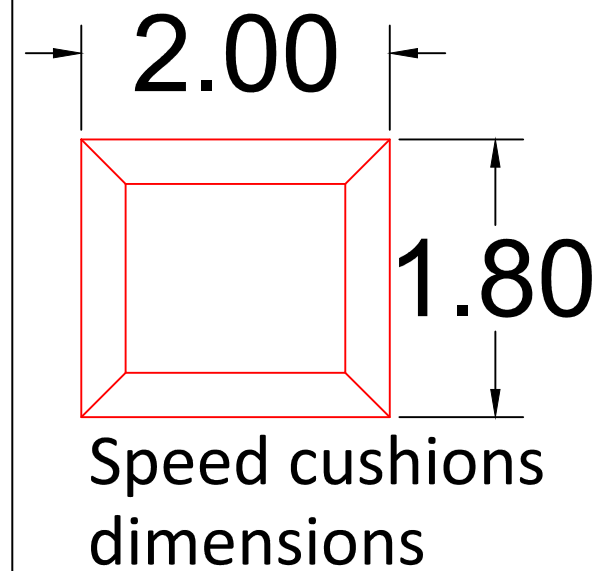
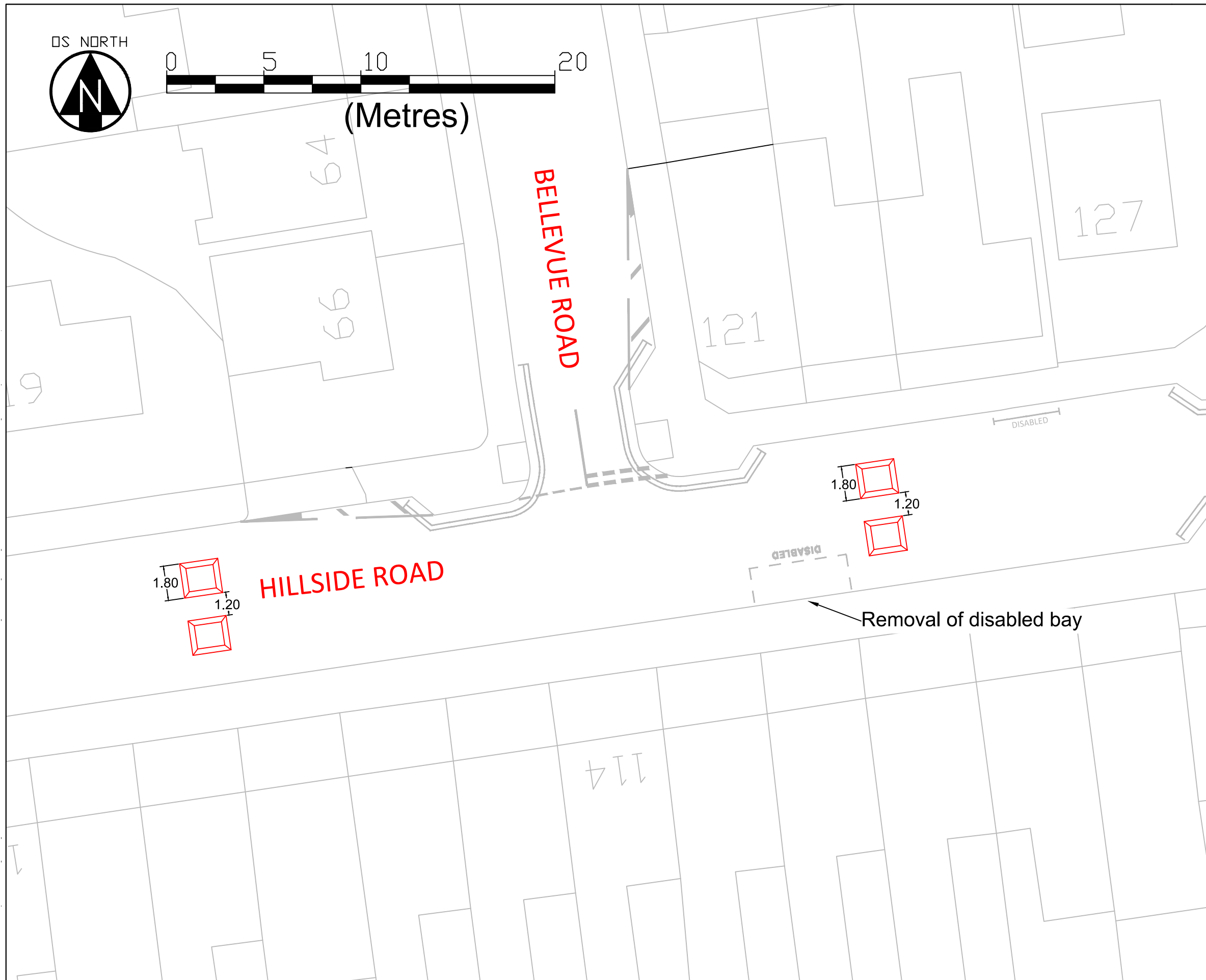


OS NORTH



(Metres)



Notes

- All measurements are in meters
- All grey road markings are existing and will remain